



Standard Test Method for Evaluation of Load-Carrying Capacity of Lubricants Under Conditions of Low Speed and High Torque Used for Final Hypoid Drive Axles¹

This standard is issued under the fixed designation D 6121; the number immediately following the designation indicates the year of original adoption or, in the case of revision, the year of last revision. A number in parentheses indicates the year of last reapproval. A superscript epsilon (ϵ) indicates an editorial change since the last revision or reapproval.

1. Scope

1.1 This test method is commonly referred to as the L-37 test.² This test method covers a test procedure for evaluating the load-carrying, wear, and extreme pressure properties of a gear lubricant in a hypoid axle under conditions of low-speed, high-torque operation.

1.2 The values stated in inch-pound units are to be regarded as the standard. The SI values given in parentheses are provided for informational purposes only.

1.3 *This standard does not purport to address all of the safety concerns, if any, associated with its use. It is the responsibility of the user of this standard to establish appropriate safety and health practices and determine the applicability of regulatory limitations prior to use.* Specific warning information is given in Sections 4, 7, and 8.

2. Referenced Documents

2.1 ASTM Standards:³

D 235 Specification for Mineral Spirits (Petroleum Spirits) (Hydrocarbon Dry Cleaning Solvent)

2.2 Military Specification:⁴

MIL-PRF-2105E Lubricating Oil, Gear, Multipurpose

2.3 AGMA National Standard:⁵

Nomenclature of Gear Tooth Failure Modes

2.4 SAE Standard:

SAE J308 Information Report on Axle and Manual Transmission Lubricants⁶

3. Terminology

3.1 Definitions of Terms Specific to This Standard:

3.1.1 *abrasive wear, n—on ring and pinion gears*, removal of material from the operating surface of the gear caused by lapping of mating surfaces by fine particles suspended in lubricant, fuel, or air or imbedded in a surface.

CRC Rating Manual No. 21⁷

3.1.2 *adhesive wear, n—on ring and pinion gears*, removal of material from the operating surface of the gear caused by shearing of junctions formed between operating surfaces in direct metal-to-metal contact; sheared-off particles either remain affixed to the harder of the mating surfaces or act as wear particles between the surfaces. **CRC Rating Manual No. 21**

3.1.3 *burnish, n—on ring and pinion gears*, an alteration of the original manufactured surface to a dull or brightly polished condition. **CRC Rating Manual No. 21**

3.1.4 *corrosion, n—in final drive axles*, a general alteration of the finished surfaces of bearings or gears by discoloration, accompanied by roughening not attributable to mechanical action. **CRC Rating Manual No. 21**

3.1.5 *deposits, n—in final drive axles*, material of pasty, gummy, or brittle nature adhering to or collecting around any of the working parts. **CRC Rating Manual No. 21**

3.1.6 *discoloration, n—on ring and pinion gears*, any alteration in the normal color of finished steel surfaces.

CRC Rating Manual No. 21

3.1.7 *pitting, n—on ring and pinion gears*, small irregular cavities in the tooth surface, resulting from the breaking out of small areas of surface metal. **CRC Rating Manual No. 21**

3.1.8 *ridging, n—on ring and pinion gears*, an alteration of the tooth surface to give a series of parallel raised and polished ridges running diagonally in the direction of sliding motion, either partially or completely across the tooth surfaces of gears.

CRC Rating Manual No. 21

¹ This test method is under the jurisdiction of ASTM Committee D02 on Petroleum Products and Lubricants and is the direct responsibility of Subcommittee D02.B0 on Automotive Lubricants.

Current edition approved Nov. 1, 2003. Published January 2004. Originally approved in 1997. Last previous edition approved in 2003 as D 6121–03.

² Until the next revision of this test method, the ASTM Test Monitoring Center (TMC) will update changes in this test method by means of Information Letters. This edition includes all Information Letters through No. 03-3. Information Letters may be obtained from the ASTM Test Monitoring Center, 6555 Penn Ave, Pittsburgh, PA 15206, Attn: Administrator. The TMC is also the source of reference oils.

³ For referenced ASTM standards, visit the ASTM website, www.astm.org, or contact ASTM Customer Service at service@astm.org. For *Annual Book of ASTM Standards* volume information, refer to the standard's Document Summary page on the ASTM website.

⁴ Standardization Documents Order Desk, Bldg 4, Section D, 700 Robbins Avenue, Philadelphia, PA 19111–5094, Attn: NPODS.

⁵ American Gear Manufacturers Assn. (AGMA), 1500 King St., Suite 201, Alexandria, VA 22314.

⁶ Available from Society of Automotive Engineers (SAE), 400 Commonwealth Dr., Warrendale, PA 15096-0001.

⁷ Available from Coordinating Research Council (CRC), 219 Perimeter Ctr. Pkwy., Atlanta, GA 30346.

3.1.9 *rippling, n—on ring and pinion gears*, an alteration of the tooth surface to give an appearance of a more or less regular pattern resembling ripples on water or fish scales.

CRC Rating Manual No. 21

3.1.10 *scoring, n—on ring and pinion gears*, the rapid removal of metal from the tooth surfaces caused by the tearing out of small contacting particles that have welded together as a result of metal-to-metal contact. The scored surface is characterized by a matte or dull finish.

CRC Rating Manual No. 21

3.1.11 *scratching, n—on ring and pinion gears*, an alteration of the tooth surface in the form of irregular scratches, of random length, across the tooth surface in the direction of sliding of the surfaces.

CRC Rating Manual No. 21

3.1.12 *spalling, n—on ring and pinion gears*, the breaking out of flakes of irregular area of the tooth surface, a condition more extensive than pitting.

CRC Rating Manual No. 21

3.1.13 *surface fatigue, n—on ring and pinion gears*, the failure of the ring gear and pinion material as a result of repeated surface or subsurface stresses that are beyond the endurance limit of the material. It is characterized by the removal of metal and the formation of cavities.

AGMA National Standard

3.1.14 *wear, n—on ring and pinion gears*, the removal of metal, without evidence of surface fatigue or adhesive wear, resulting in partial or complete elimination of tool or grinding marks or development of a discernible shoulder ridge at the bottom of the contact area near the root or at the toe or heel end of pinion tooth contact area (abrasive wear).

CRC Rating Manual No. 21

4. Summary of Test Method

4.1 Prior to each test run, inspect the test unit (final axle assembly) and measure and record confirming manufacturing specifications.

4.2 Begin the test when the axle assembly is installed on the test stand and charged with test lubricant.

4.3 *Gear Conditioning Phase*—Run the charged test unit for 100 min at 440 wheel r/min and 394 lbf-ft (535 Nm) torque per wheel, maintaining an axle sump temperature of 297°F (147°C). (**Warning**—High-speed rotating equipment, electrical shock, high-temperature surfaces.)

4.4 Allow for axle assembly to cool and perform a gear inspection. (**Warning**—See 4.3.)

4.5 *Gear Test Phase*—Next, run the test unit for 24 h at 80 wheel r/min, 1742 lbf-ft. (2351 Nm) torque per wheel and an axle sump temperature of 275°F (135°C). (**Warning**—See 4.3.)

4.6 The test is completed at the end of the gear test phase. Visually inspect the test parts.

4.6.1 Remove the ring gear, pinion, and pinion bearing, and rate for various forms of distress. Use the condition of the ring gear and pinion to evaluate the performance of the test oil.

5. Significance and Use

5.1 This test method measures a lubricant's ability to protect final drive axles from abrasive wear, adhesive wear, plastic deformation, and surface fatigue when subjected to low-speed

high-torque conditions. Lack of protection can lead to premature gear or bearing failure, or both.

5.2 This test method is used, or referred to, in the following documents:

5.2.1 American Petroleum Institute (API) Publication 1560.⁸

5.2.2 STP-512A.⁹

5.2.3 SAE J308.

5.2.4 Military Specification MIL-PRF-2105E.

6. Apparatus

6.1 *Test Unit*—The test unit is a new complete hypoid truck axle assembly less axle shafts, Dana Model 60, 5.86 to 1 ratio.¹⁰ See Annex A6 for part numbers.

6.2 *Test Stand and Laboratory Equipment*:

6.2.1 *Axle Vent*—Vent the axle to the atmosphere throughout the entire test and arrange the vent so that no water enters the housing.

6.2.2 *Axle Cover*—The axle cover has a 3.5-in. (8.9-cm) inspection port installed, as shown in Fig. A2.1. This allows filling the axle and provides a means for inspecting the axle after the gear condition phase (see 10.1). Install a thermocouple, as described in 6.2.4.1.

6.2.3 *Test Stand Configuration*—Mount the complete assembly in a rigid fixture as shown in Fig. A3.1. Mount the test unit in the test stand with pinion and axle shaft centerlines horizontal.

6.2.4 *Temperature Control*—The test axle housing shall include a means of maintaining the lubricant at a specified temperature. This shall include a thermocouple, a temperature recording system, and a cooling method.

6.2.4.1 *Thermocouple*—Determine the thermocouple location on the rear cover using the cover plate temperature sensor locating device as shown in Fig. A4.1.

(1) Install the thermocouple such that the thermocouple tip is flush with the cover plate lip by placing the cover plate face on a flat surface and inserting the thermocouple into the cover plate until the thermocouple tip is flush with the flat surface.

(2) Lock the thermocouple into place.

6.2.4.2 *Temperature Recording System*—The temperature recording system shall record the temperature of the test oil throughout the test.

6.2.4.3 *Axle Cooling*—Use three spray nozzles to distribute water over the cover plate and axle housing as shown in Fig. A5.1. Actuate the water control valve by the temperature control system.

⁸ "Lubricant Service Designations for Automotive Manual Transmissions, Manual Transaxles, and Axles," available from American Petroleum Institute, 1220 L St. NW, Washington, DC 20005.

⁹ "Laboratory Performance Tests for Automotive Gear Lubricants Intended for API GL-5 Service."

¹⁰ The sole source of supply of the apparatus known to the committee at this time is Dana Corp., P.O. Box 2424, Fort Wayne, IN 46801. If you are aware of alternative suppliers, please provide this information to ASTM International Headquarters. Your comments will receive careful consideration at a meeting of the responsible technical committee¹, which you may attend.

6.2.5 *Power Source*—The power source consists of a gasoline-powered V-8 engine capable of maintaining test conditions.

6.2.6 *Dynamometers and Torque Control System*—Use two axle dynamometers with sufficient torque absorbing capacity to maintain axle torque and speed conditions. Suitable control equipment with sensitivity of adjustment to permit maintenance of test conditions is required.

6.2.7 *Dynamometer Connecting Shafts*—Fabricate shafts connecting the dynamometer to the axle shafts. Shafts must be strong enough to handle the torques encountered and be balanced up to 1200 r/min.

6.2.8 *Drive Shaft and Universal Joints*—Fabricate a shaft with universal joints connecting the manual transmission and test axle. The shaft shall have a 4-in. (10.1-cm) outside diameter with a 0.094-in. (0.26-cm) wall thickness. Shaft and universal joints should be strong enough to handle the torques encountered and be balanced up to 5000 r/min.

6.2.9 *Transmission and Coupling*—Couple the engine to the test unit through a clutch and manual transmission of sufficient torque carrying capacity to operate normally under test conditions.

6.3 *Speed Measuring and Control System*, capable of measuring speed of both axles and also of maintaining test conditions.

7. Reagents and Materials

7.1 *Sealing Compound*, where necessary, Permatex No. 2, or equivalent.

7.2 *Solvent*, hydrocarbon solvent that will evaporate at room temperature, leaving no residue. (**Warning**—Combustible, vapor harmful.)

8. Preparation of Apparatus

8.1 *Cleaning of Reusable Hardware*—Clean as necessary all reusable parts including axle shafts, thermocouples axle housing cover, and all associated drain pans and funnels used for the addition of and collection of test oil.

8.2 Preparation of Axle:

8.2.1 *Pretest Pattern Procedure (optional)*—Check pinion and ring gear pattern in accordance with Dana procedures.¹⁰ Make adjustments as necessary to allow the test unit to have a gear tooth pattern centered on the drive side of the gear teeth.

8.2.2 *Cleaning*—Wash the test unit, using hydrocarbon solvent (**Warning**—see 7.2), paying particular attention to the pinion bearings to remove all preservative oil. Dry by blowing with clean, dry compressed air.

8.2.3 Install axle shafts in test unit.

8.2.4 Lubricate the carrier bearings, pinion bearings, differential gears, and the ring gear and pinion, using the test lubricant or neutral base oil.

8.2.5 *Break and Turn Torque Measurements*—Determine and record the torques required to break and to turn the pinion shaft of the completely assembled test unit.

8.2.6 *Backlash Measurements*—Remove the cover plate. Record backlash at four equally spaced locations. The average of the four readings shall be from 0.004 to 0.009 in. (0.102 to 0.229 mm).

8.3 Install the test unit on the stand with pinion and axle shaft centerlines horizontal. Connect dynamometers and drive shaft to the test unit.

8.4 Bolt the axle cover with gasket (apply sealant, if needed) onto the axle housing and fill the axle assembly with 6.0 ± 0.1 pt (2.8 ± 0.05 L) of test lubricant. This step may occur before or after the test unit is installed on the stand as described in 8.3.

9. Calibration and Standardization

9.1 Reference Oils and Hardware:

9.1.1 Reference oils for stand calibration are available from the ASTM Test Monitoring Center (TMC)² and approved hardware through ASTM Subcommittee D02.B0.03.¹¹

9.1.2 Do not submit reference oils to physical or chemical analyses for identification purposes. Identifying the oils by analyses could undermine the confidentiality required to operate an effective blind reference oil system. Therefore, reference oils are supplied with the explicit understanding that they will not be subjected to analyses other than those specified within this procedure unless specifically authorized by the TMC. In such cases where analyses are authorized, supply written confirmation of the circumstances involved, the data obtained, and the name of the person authorizing the analysis to the TMC.

9.2 Stand Calibration:

9.2.1 Laboratories wishing to calibrate test stands using reference oils and approved hardware shall participate in the Lubricant Test Monitoring System (LTMS) calibration program administered for this test method by the TMC (see Annex A1). The TMC distributes reference oils as blind coded samples for test stand calibration. Report all test starts and test data using reference oils to the TMC. Calibration frequency is subject to change as required. Current calibration information is available from the TMC. Send all reference oil test results to the TMC within five (5) days of test completion. Extensions to this response time may be granted only with prior approval of the TMC.

9.2.2 The TMC shall inspect new test stands for compliance with this test method. A test stand is considered new when a test stand is moved. Additionally, circumstances involving significant changes to stand apparatus, instrumentation, and operation may require an existing test stand to meet new test stand calibration requirements. Consult with the TMC regarding these matters.

9.2.3 *Reference Test Frequency*—One reference test is required every two months or after 650 test hours on non-reference fluids, whichever occurs first.

9.2.4 When a test stand is out of calibration for a period of six months or longer, renumber the stand, and follow LTMS guidelines for new stand introduction.

9.2.5 Report modification of test stand apparatus or completion of any nonstandard test on a calibrated test stand to the TMC immediately. The TMC will determine whether another calibration test is necessary.

¹¹ The responsible ASTM surveillance panel.

9.2.6 Alternate testing of L-37 and L-42¹² tests does not necessitate recalibration as long as the above requirements are met.

9.3 Every test start on any test stand shall receive a sequential test run number designated before testing begins. All tests, including aborted starts and operationally invalid tests, must retain their test number.

9.4 *Instrumentation Calibration*—Calibrate the axle speed measuring system, temperature control system, and torque measuring system to occur at a maximum of four months or 50 tests against a known standard traceable to the National Institute of Standards and Technology (NIST)¹³ or a physical constant.

10. Test Procedure

10.1 *Gear Conditioning Phase:*

10.1.1 Set the temperature control to maintain a lubricant temperature of $297 \pm 3^\circ\text{F}$ ($147.2 \pm 1.7^\circ\text{C}$). See Table A6.1 for alternate versions.

10.1.2 With the engine warmed up and with no load on the dynamometers, shift smoothly to a gear appropriate for the test conditions.

10.1.3 After reaching the appropriate gear, accelerate smoothly to 440 ± 5 wheel r/min and apply dynamometer load to achieve a torque load of 395 ± 15 lbf-ft (533 ± 20 Nm) on each wheel (see Note 1).

NOTE 1—The time required to accelerate to the test conditions of 440 wheel r/min and 395 lbf-ft is about 2 min.

10.1.4 The test starts when required speed and torque conditions are reached. Record the time as start of the test.

10.1.5 After reaching speed and load conditions, run the test for 100 ± 1 min.

10.1.6 To ensure accuracy of the test, record speed, load, and temperature at a minimum of once every 10 min.

10.1.7 At the end of 100 min, close the throttle smoothly, shift transmission to neutral, and record ending time and temperature of the lubricant.

10.1.8 At this time, an optional inspection of the gear set condition is permitted. If chosen, remove the inspection plug located at the top of the axle cover and note the condition of the ring gear in accordance with CRC Rating Manual 21.

10.2 *Gear Test Phase:*

10.2.1 Set the temperature control to maintain a lubricant temperature of $275 \pm 3^\circ\text{F}$ ($135.0 \pm 1.7^\circ\text{C}$). See Table A6.1 for alternate versions.

10.2.2 With the engine warmed up and with no load on the dynamometers, shift smoothly to a gear appropriate for the test conditions.

10.2.3 After reaching the appropriate gear, accelerate smoothly to 80 ± 1 wheel r/min and a dynamometer load to achieve a wheel torque load of 1740 ± 35 lbf-ft (2349 ± 47 Nm).

10.2.4 The test phase starts when required speed, torque, and temperature conditions are reached. Record the time as start of the test phase.

10.2.5 After reaching speed, load, and temperature conditions, run the test for 24 ± 0.2 h.

10.2.6 To ensure test accuracy, record speed, load, and temperature at a minimum of once every hour.

10.2.7 At the end of 24 h, close the throttle smoothly, shift the transmission to neutral, and record time and temperature of the lubricant.

10.2.8 Disconnect the drive shaft and axle shafts from the dynamometers, and remove the test unit from the test stand while the test unit is hot.

11. Axle Post Test Measurements

11.1 *Break and Turn Torques:*

11.1.1 While the unit is hot, determine and record the torque required to break and to turn the pinion shaft of the completely assembled test unit.

11.1.2 Allow the unit to cool, and record the torques required to break and to turn the pinion shaft of the completely assembled test unit.

11.2 Drain the axle of test lubricant. This may occur anytime after 10.2.7 has been completed.

11.3 *Backlash Measurements*—Remove the cover plate. Record backlash at four equally spaced locations on the ring gear and calculate the average of the four readings.

11.4 Completely disassemble the differential and the pinion shaft assemblies for inspection.

12. Determination of Test Results¹⁴

12.1 *Pinion Bearing Rating*—Examine the bearings for wear, surface fatigue corrosion, and deposits in accordance with CRC Rating Manual 21.

12.2 *Gear Rating:*

12.2.1 Examine the tooth surfaces on the drive side of the pinion and ring gear for the following distresses in accordance with CRC Rating Manual 21 and Annex A9: burnishing, wear, pitting/spalling, ridging, rippling, scoring, discoloration, corrosion, and deposits. Rate the distress types of wear, rippling, and ridging using the CRC Reference Photography of Gear Distress photographs. The photographs shall have a serial number of SN001 or greater and have an issuance date of July 8, 2000 or later.

12.2.2 Rate each distress by identifying its level of distress in accordance with Table A9.1. Four distress types (ridging, rippling, scoring, and wear) are assigned a numerical value between 0 and 10 corresponding to the rated level of distress, as shown in Table A9.1. The pitting/spalling distress type is assigned numerical values also shown in Table A9.1.

12.2.3 When using the nonlubricated hardware, gear set C1L426/P4L415A, determine a numerical pitting/spalling value, excluding any pitting/spalling value between 9.3 and 9.9, inclusively, in the wear step area of the drive side pinion tooth, as per Annex A10.

¹² The L-42 procedure is currently being developed into a standard test method by Subcommittee D02.B0.

¹³ National Institute of Standards and Technology (formerly National Bureau of Standards), Gaithersburg, MD 20899.

¹⁴ Supporting data have been filed at ASTM International Headquarters and may be obtained by requesting Research Report RR: D02-1415.

TABLE 1 Reference Oil Test Precision Data

NOTE—These statistics are based on results on Test Monitoring Center Reference Oils 127, 128, 128-1, and 129.

Legend:

$S_{i.p.}$ = intermediate precision standard deviation,
 $i.p.$ = intermediate precision,
 S_R = reproducibility standard deviation, and
 R = reproducibility.

Hardware Type	Variable	$S_{i.p.}$	$i.p.$	S_R	R
Lubrited	Pinion ridging, -ln(10.5-merit)	0.3836	1.0741	0.3859	1.0805
	Pinion rippling, -ln(10.5-merit)	0.5645	1.5806	0.6412	1.7954
	Pinion wear, merit	1.0181	2.8507	1.0648	2.9814
	Pinion pitting/spalling, -ln(10.5-merit)	0.7124	1.9947	0.7124	1.9947
Non-lubrited	Pinion ridging, -ln(10.5-merit)	0.4847	1.3572	0.5209	1.4585
	Pinion rippling, -ln(10.5-merit)	0.5303	1.4848	0.5993	1.6780
	Pinion wear, merit	1.0352	2.8986	1.0728	3.0038
	Pinion pitting/spalling, -ln(10.5-merit)	0.4298	1.2034	0.4414	1.2359

12.2.3.1 When using the nonlubrited hardware, gear set VIL303/P4L514A, determine a numerical pitting/spalling value, excluding any pitting/spalling value between 3.0 and 9.9, inclusive, in the wear step area of the drive side pinion tooth, as per Annex A10.

12.2.3.2 Report this rating value on Form 1 and Form 2 (Annex A7) of the test report package.

NOTE 2—If non-reference oil test results are to be used as candidate oil test results against a specification, report the non-reference oil test results on the same standardized report form set and data dictionary as used for reference oil test results.

12.2.3.3 When using the lubrited hardware, gear set VIL686/P4L626A, for non-reference oil tests, add a correction factor of 0.5186 to the pinion transformed ridging test result, and add a correction factor of 0.9922 to the ring transformed ridging test result. Record these results on Form 1 of the test report (Annex A7).

12.3 When using gear set VIL686/P4L626A, a thin polished line visible in the root heel of the pinion and on the crown of the ring gear may be evident. The polish line may vary in length and prominence due to the build position of the ring and pinion gears and manufacturing accuracy of the carrier. This condition is normal and not oil related. Note this condition in the final test report comment section as *Root and Tip line polishing and a function of the gear set manufacturing process — VIL686/P4L626A*.

12.4 For a test rating to be valid, the gears shall be rated by an individual who has participated in an ASTM gear-rater calibration workshop within the previous twelve months¹⁵ and has been calibrated as outlined in the L-37 Rater Calibration Monitoring System (RCMS). The RCMS calibration period is every six months or as otherwise required by the RCMS. A copy of the RCMS document is available on the ASTM Test Monitoring Center web page at <http://astmtmc.cmu.edu/> or can be obtained in hardcopy format from the TMC.

12.5 *Test Validity*—The test is determined to be operationally valid if the percent deviation of the critical operating

parameters and number of shutdowns are within the limits specified and defined in Annex A8.

12.6 Consider as non-interpretable any non-reference oil test that has not been run in a calibrated test stand or not conducted on approved hardware, or both. Indicate on the cover page of the test report that the test is non-interpretable and that it has not been conducted in a valid manner in accordance with the test method.

12.7 Consider as non-interpretable any reference or non-reference oil test that has one or more broken pinions or ring gear teeth. Note any tooth breakage in the comment section of the test report.

12.8 Rate only the corrosion on the contact surface of the drive side of any pinion or ring gear tooth. Enter the corrosion rating in the rating section of the rating form. Note any corrosion on the pinion and ring in a non-contact surface area in the comment section of the rating form.

13. Report

13.1 For reference oil tests, the standardized report form set and data dictionary for reporting the test results and for summarizing the operational data are required. The report forms and data dictionary are available on the ASTM Test Monitoring Center Web Page at <http://tmc.astm.cmri.cmu.edu/> or can be obtained in hardcopy format from the TMC.

13.2 Attach the temperature recording trace for the test as part of the report.

13.3 When reporting reference oil test results to the TMC, transmit by facsimile the complete report form package (see Annex A7) within five days of test completion. Within 30 days of test completion, mail a copy of the final test report to the ASTM Test Monitoring Center². Electronic transfer of test results (see 13.5) is also permitted for approved laboratories.

13.4 *Deviations from Test Operational Limits*—Report all deviations from specified test operational limits on Form 4 (Annex A7) under Other Comments.

13.5 *Electronic Transmission of Test Results*—Electronic transfer of reference and non-reference oil test report data can be done utilizing the Flat File Transmission Format contained

¹⁵ Training for those rating gear sets for gear distress levels may be obtained from Coordinating Research Council, 219 Perimeter Ctr. Pkwy., Atlanta, GA 30346.

in Section 2 of the ASTM Data Communications Committee Test Report Transmission Model, available from the ASTM TMC.

14. Precision and Bias

14.1 *Precision*—Test precision is established on the basis of reference oil test results (for operationally valid tests) monitored by the ASTM TMC. The data are reviewed semiannually by the L-37 Surveillance Panel. Contact the ASTM TMC for current industry data. Table 1 summarizes reference oil precision of the test as of March 1, 1999.

14.1.1 *Intermediate Precision (i.p.) (formerly called repeatability)*—The difference between two results obtained by the same laboratory with the same gear batch on the same oil would, in the long run, in the normal and correct conduct of the test method, exceed the values shown in Table 1 in only one case in twenty.

14.1.2 *Reproducibility (R)*—The difference between two single and independent results obtained by different laboratories with the same gear batch on the same oil would, in the long run, in the normal and correct conduct of the test method exceed the following value in only one case in twenty.

14.2 *Bias*—No estimate of bias for this test method is possible because the performance results for an oil are determined only under specific conditions of the test and no absolute standards exist.

15. Keywords

15.1 abrasive wear; adhesive wear; bearing failure; final drive axle; gear; gear failure; hypoid axle; lubricants; L-37; surface fatigue

ANNEXES

(Mandatory Information)

A1. THE ROLE OF THE ASTM TEST MONITORING CENTER (TMC)

A1.1 The TMC is a nonprofit organization located at 6555 Penn Ave., Pittsburgh, PA 15206. It is staffed to administer engineering studies; conduct laboratory visits; perform statistical analysis of test; to blend, store, and ship reference oils; and to provide associated administrative functions connected with the referencing and calibration of various lubricant tests. The TMC maintains a close connection with test sponsors, test developers, the surveillance panels, and the testing laboratories. The management of these functions is vested in the Test Monitoring Board, whose members are elected by Subcommittee D02.B0. The TMC operates under the ASTM Charter and its associated bylaws and regulations, the bylaws of Committee D02 and Subcommittee D02.B0, and the Rules and Regulations of the Test Monitoring Board. The operating income of the TMC is obtained from fees levied on the reference oils supplied and on the conduct of the calibration tests. These fees are set by Subcommittee D02.B0 and are regularly reviewed.

A1.2 Information Letters

A1.2.1 It occasionally becomes necessary to change a test procedure and to notify test laboratories of the change before the change can be considered by Subcommittee D02.B0 on Automotive Lubricants or Committee D02 on Petroleum Products and Lubricants. In such a case, the TMC will issue an Information Letter. Subsequently, prior to each semiannual Committee D02 meeting, the accumulated Information Letters are balloted in Subcommittee D02.B0. This ballot is reviewed at the Subcommittee D02.B0 meeting, and the actions taken are then considered by Committee D02. In this way, the ASTM due process procedures are applied to the Information Letters.

A1.2.2 The review of an Information Letter prior to its original issue will differ in accordance with its nature. In the case of an Information Letter that does not affect test results,

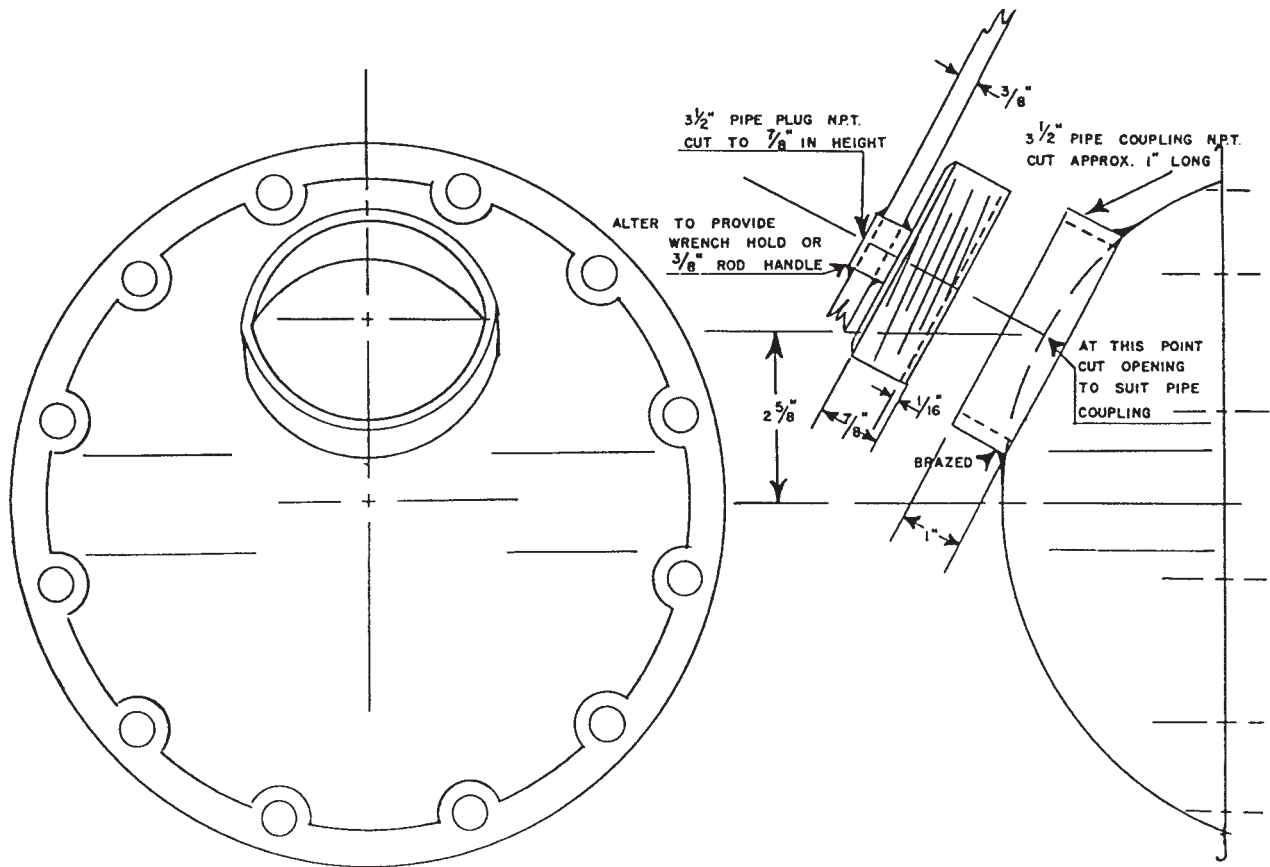
such as notification of a part number change, the TMC is authorized to issue an Information Letter. A survey or study conducted by the Surveillance Panel resulting in a recommendation for a change in hardware or procedure may result in the issuance of an Information Letter. If urgent change to hardware or procedure are obviously necessary, the test sponsor and the TMC may issue an Information Letter and present it for approval, with the background and data, for approval by the Surveillance Panel prior to the next semiannual Committee D02 meeting.

A1.2.3 Authority for the issue of Information Letters was given by the Committee on Technical Committee Operations (COTCO) in 1984, as follows: “COTCO recognizes that D02 has a unique and complex situation. The use of Information Letters is approved provided that each letter (at its initial issue) contains a disclaimer to the effect that it has not obtained ASTM consensus. These Information Letters should be moved to such consensus as rapidly as possible.”

A1.3 *TMC Memoranda*—In addition to the Information Letter system, the TMC will provide information to the Surveillance Panel and to participating laboratories in the form of ASTM TMC memoranda. These are used to convey such information as batch approvals for test parts or materials, to clarify misunderstandings concerning the test procedure, to provide notes and suggestions for the collection and analysis of special data that the TMC may call for, or for any other matters having no direct effect on the test performance results or precision and bias.

A1.4 *Precision Data*—One measure of test precision is established on the basis of reference oils (calibration) test results monitored by the ASTM TMC. Current data may be obtained from the TMC.

A2. AXLE COVER EXAMPLE



in.	mm	in.	mm
1/16	1.6	1	25.4
3/8	9.5	2 5/8	66.7
7/8	22.2	3 1/2	88.9

FIG. A2.1 Axle Cover Example

A3. RIGID AXLE MOUNT EXAMPLE

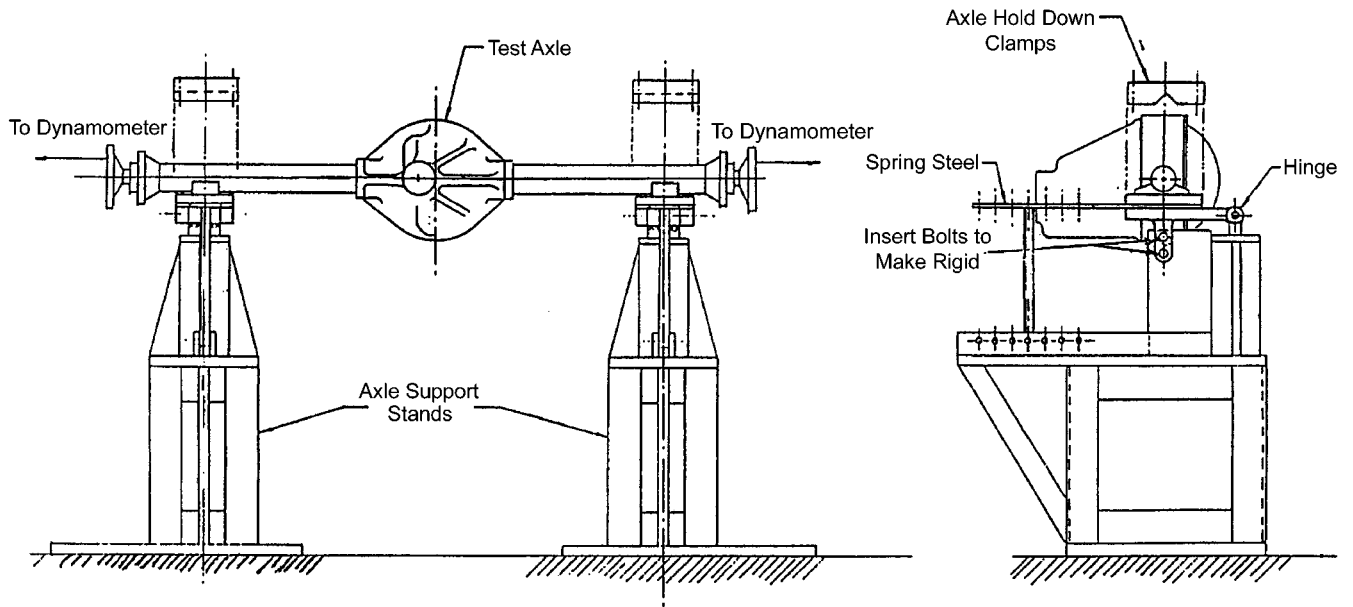
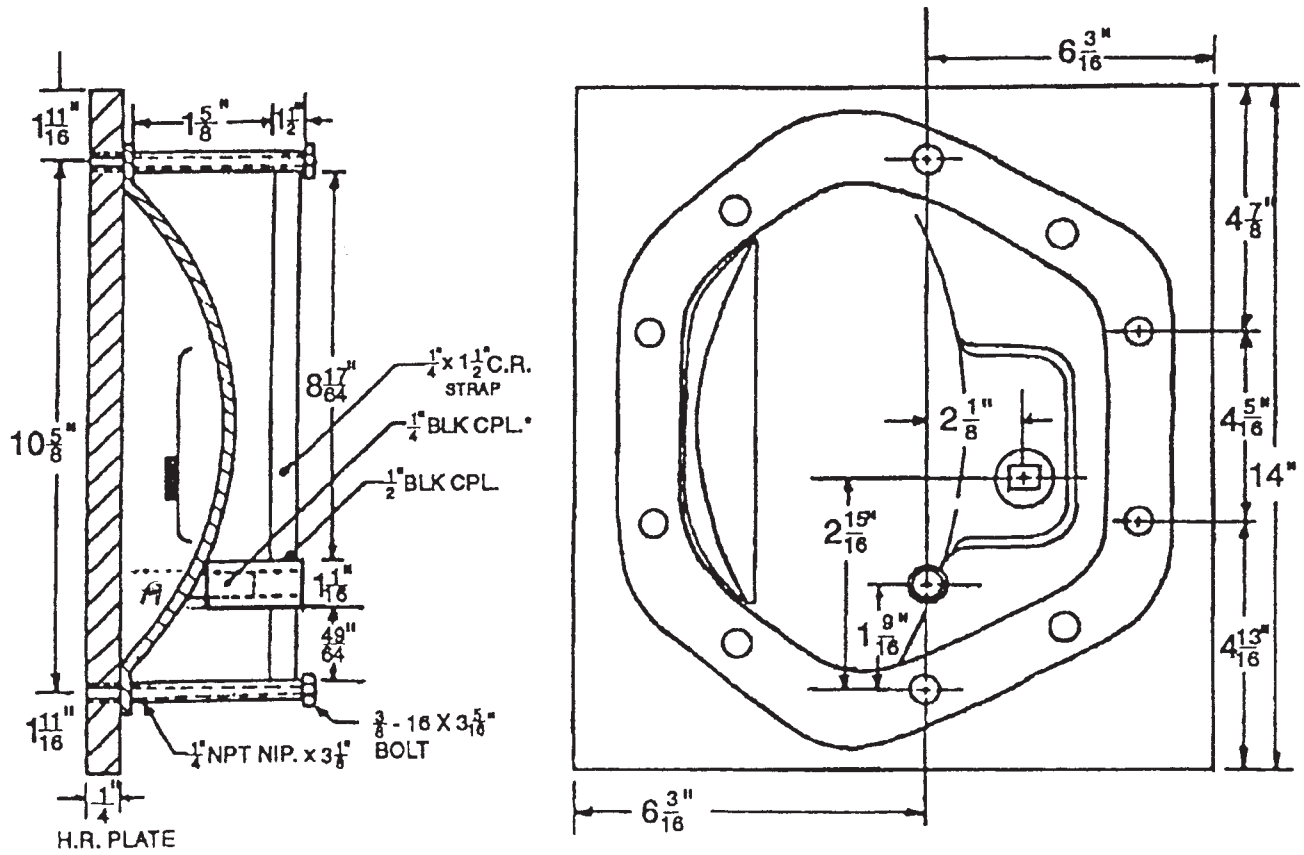


FIG. A3.1 Example of Rigid Axle Mount on Test Stand

A4. COVER PLATE TEMPERATURE SENSOR LOCATING DEVICE

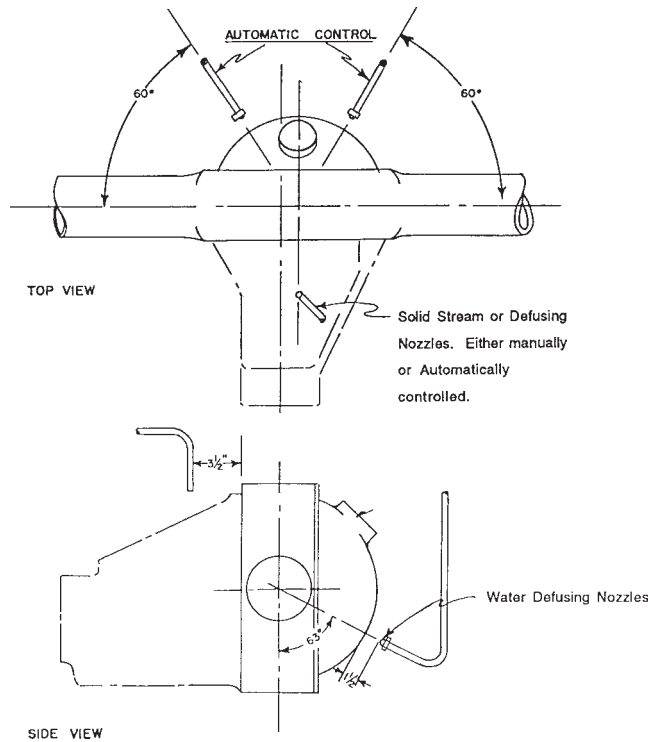


A CPL cut a approximately 50° angle (sand cpl to match contour of cover)

in.	mm	in.	mm
1/4	6.4	3/8	79.4
3/8	9.5	3 9/16	84.1
1/2	12.7	4 5/16	109.5
1 1/16	27.0	4 13/16	122.2
1 1/2	38.1	4 7/8	123.8
1 9/16	39.7	6 3/16	157.2
1 5/8	41.3	8 17/64	209.9
1 11/16	42.9	10 5/8	269.9
2 1/8	54.0	13	330.2
2 15/16	76.6		

FIG. A4.1 Cover Plate Temperature Sensor Locating Device

A5. AXLE COOLING SYSTEM



NOTE—Use 3/8 in. tubing for all water lines.

in.	mm	in.	mm
3/8	9.5	3 1/2	88.9
1 1/2	38.1		

FIG. A5.1 Location of Spray Nozzles on Axle

A6. TEST VERSIONS AND AXLE PART NUMBERS

A6.1 *Axle Used in Test*—Two types of test axle are run in this test.

A6.1.1 *Uncoated Axle*—Dana Model 60, 5.86 ratio, standard differential with uncoated ring gear and uncoated pinion, Part No. 060AA100-2.¹⁰ Also referred to as plain or green axles.

A6.1.2 *Coated Axle*¹⁶—Dana Model 60, 5.86 ratio, standard differential with coated ring gear and coated pinion, Part No. 060AA100-4.¹⁰ Also referred to as lubrited or lubrized axles.

A6.2 *Test Versions*—This test has four commonly used versions. The test procedures and conditions described previ-

ously in this test method will be referred to as the standard version. All versions maintain the same test procedures, wheel load, and wheel speed conditions. The differences occur in the axle oil temperature and axle type used. Table A6.1 describes each version.

TABLE A6.1 Test Versions^{A,B}

Test Version	Axle Type	Gear Conditioning	Gear Test Phase
		Axle Temperature	Axle Temperature
Standard	uncoated	297 ± 3°F (147.2 ± 1.7°C)	275 ± 3°F (135.0 ± 1.7°C)
Standard	coated	297 ± 3°F (147.2 ± 1.7°C)	275 ± 3°F (135.0 ± 1.7°C)
Canadian	uncoated	220 ± 3°F (104.4 ± 1.7°C)	200 ± 3°F (93.3 ± 1.7°C)
Canadian	coated	220 ± 3°F (104.4 ± 1.7°C)	200 ± 3°F (93.3 ± 1.7°C)

^A All versions use the same wheel speed, load conditions, and test procedures, which are described in Section 10.

^B Both Canadian test versions typically used for evaluation of 75W lubricants.

¹⁶ A manganese phosphate coating.

A7. L-37 TEST REPORT FORMS and DATA DICTIONARY

A7.1 The required report forms and data dictionary are available on the ASTM Test Monitoring Center Web Page at <http://tmc.astm.cmri.cmu.edu/> or can be obtained in hardcopy format from the TMC.

Form 0	Test Report Cover
Form 1	Test Result Summary Page
Form 2	Gear Tooth Surface Condition
Form 3	Operational Summary Sheet
Form 4	Operational Summary Sheet
Form 5	Operational Validity Summary

A8. TEST VALIDITY CALCULATION AND LIMITS

A8.1 For a test to be operationally valid it shall not exceed the limits on unscheduled downtime and deviation from critical operating parameters.

A8.2 Downtime Limits

A8.2.1 During warm up, no limit on number of occurrences.

A8.2.2 During the test, a maximum number of two downtime occurrences are permitted in addition to the shutdown between the gear conditioning and gear test phases.

A8.3 Deviation from Test Operating Parameters

A8.3.1 Axle sump temperature, wheel speed, and wheel torque are considered critical operating parameters for this test method.

A8.3.2 The percent deviation of these parameters is calculated as follows:

$$\% = \sum \frac{\text{abs (amount out of specification)}}{1/2 \text{ specification range}} \times \frac{\text{out of specification, h}}{\text{test length, h}} \times 100 \quad (\text{A8.1})$$

A8.3.3 A reading out of specification using once-every-hour data recording is considered to be out for the full hour unless otherwise documented.

A8.3.4 The deviation percentages for the critical operating parameters are shown in Table A8.1.

A8.3.5 The test is considered invalid if the axle oil temperature reaches 325°F (162.7°C) any time during the test.

A8.3.6 Calculate axle oil temperature percent deviation after 294°F (145.6°C) is reached for the gear conditioning phase.

TABLE A8.1 Critical Operating Parameter Limits

Parameter	Gear Conditioning	Gear Testing
	Limits	Limits
Axle oil temperature	5 %	5 %
Wheel speed	5 %	5 %
Wheel load	5 %	5 %

A9. GEAR RATING RULES

A9.1 Additional descriptions have been developed to aid the rater in accurately assessing the distress on the ring gear and pinion following the completion of the test. The definitions described in this annex supersede those found in CRC Rating Manual 21 where applicable.

A9.2 Severity Levels

A9.2.1 Document the most severe level for each individual distress. Use the photographs in CRC Manual 21 as examples.

A9.2.2 *None*—Absence of distress.

A9.2.3 *Trace*—Barely discernible, may need magnification (4 x maximum).

A9.2.4 *Light*—Discernible without magnification.

A9.2.5 *Medium*—Easily discernible, midway between light and heavy.

A9.2.6 *Heavy*—Intense or severe (the severity level is such that the distress is instantaneously recognizable).

A9.3 Severity levels applied to distress types. When rating the following distresses types, the definitions described supersede those found in CRC Rating Manual 21.

A9.3.1 *Discoloration*—Severity level definitions described in A9.2.

A9.3.2 *Pitting/Spalling*—Use the numerical values provided in Table A9.1 in accordance with the level of distress.

A9.3.2.1 *Spalling* severity levels definitions described in A9.2.

TABLE A9.1 Gear Rating Guidelines

Use for All Distress Except Pitting/Spalling		
Numerical Value	Level of Distress	
10.0	None	
9.0	Trace	
8.0	Trace-Light	
7.0	Light	
6.0	Light-Medium	
5.0	Medium	
4.0	Medium-Heavy	
3.0	Heavy	
2.0	Heavy to Catastrophic (up to 50 % of gear tooth contact area)	
1.0	Heavy to Catastrophic (greater than 50 % and less than 100 % of the gear tooth contact area)	
0.0	Catastrophic (100 % of the gear tooth contact area)	

Use for Pitting/Spalling Distress Only		
Numerical Value	Level of Distress	Corresponding CRC 21 Spalling Scale
10.0	None	
9.9	Trace Pitting—Pit size up to 0.24 mm diameter	
9.8	Trace-Light Pitting	
9.7	Light Pitting—Pit size 0.50 mm diameter	
9.6	Light-Medium Pitting	
9.5	Medium Pitting—Pit size 0.74 mm diameter	
9.4	Medium-Heavy Pitting	
9.3	Heavy Pitting—Pit size 0.98 mm diameter	
9.0	Trace Spalling	1 mm ²
8.0	Trace-Light Spalling	4 mm ²
7.0	Light Spalling	9 mm ²
6.0	Light-Medium Spalling	16 mm ²
5.0	Medium Spalling	25 mm ²
4.0	Medium-Heavy Spalling	36 mm ²
3.0	Heavy Spalling	49 mm ²
2.0	Heavy to Catastrophic (up to 50 % of gear tooth contact area and for pitting/spalling, greater than a 3.0 on the spalling template)	
1.0	Heavy to Catastrophic (greater than 50 % and less than 100 % of the gear tooth contact area not ratable)	
0.0	Catastrophic (100 % of the gear tooth contact area not ratable)	

Spalling in the range from 9.0 to 3.0 references CRC Manual 21 Spalling Template. Any tooth breakage will be noted in the comment section of the final test report.

A9.3.3 *Ridging*—Severity level definitions described in A9.2.

A9.3.4 *Rippling*—Severity level definitions described in A9.2.

A9.3.5 *Scoring*—Severity level definitions described in A9.2. Also note the estimated percent of contact area that is scored.

A9.3.6 *Wear*—Confirm the presence of a wear step both visually and tactilely.

A9.3.6.1 *Trace*—Tool marks are easily discernible at heel and toe area without a wear step.

A9.3.6.2 *Trace/Light*—Tool marks are barely discernible at heel and toe area without a wear step.

A9.3.6.3 *Light*—Absence of tool marks at the heel or the toe without a wear step.

A9.3.6.4 *Light/Medium*—The presence of a wear step.

A9.3.6.5 *Medium*—Shall have an easily discernible wear step, midway between Light and Heavy.

A9.3.6.6 *Heavy*—The severity level is so intense/severe that the distress is instantaneously recognizable.

A9.4 Rating with Magnification

A9.4.1 Do not use magnification for any level of severity for the wear distress. Magnification (4 power) may be used to verify trace levels of severity for the ridging, rippling, and scoring distresses. Do not use magnification for any other level of severity for the ridging, rippling and scoring distresses.

A9.4.2 Magnification (4 power) may be used to verify all levels of severity for pitting/spalling distress.

A9.4.3 Do not use any other power of magnification to verify severity levels of distress.

A10. C1L425/P4L415A AND V1L303/P4L514A (NONLUBRITED HARDWARE) PITTING/SPALLING EXCLUSION AREA

A10.1 The side of the pinion tooth that curves inward, or is concave, is referred to as the *drive* side. The convex side is the coast side. The end farthest away for the pinion shaft is referred to as the *toe* end. The end of the tooth nearest the pinion shaft is the *heel* end. The toe end of the tooth is smaller than the heel.

A10.2 The exclusion area is defined as a 1/16-in. wide area from the bottom to the top of the drive side of pinion, running parallel with the wear step on the toe side of the wear step. This is shown in Fig. A10.1.

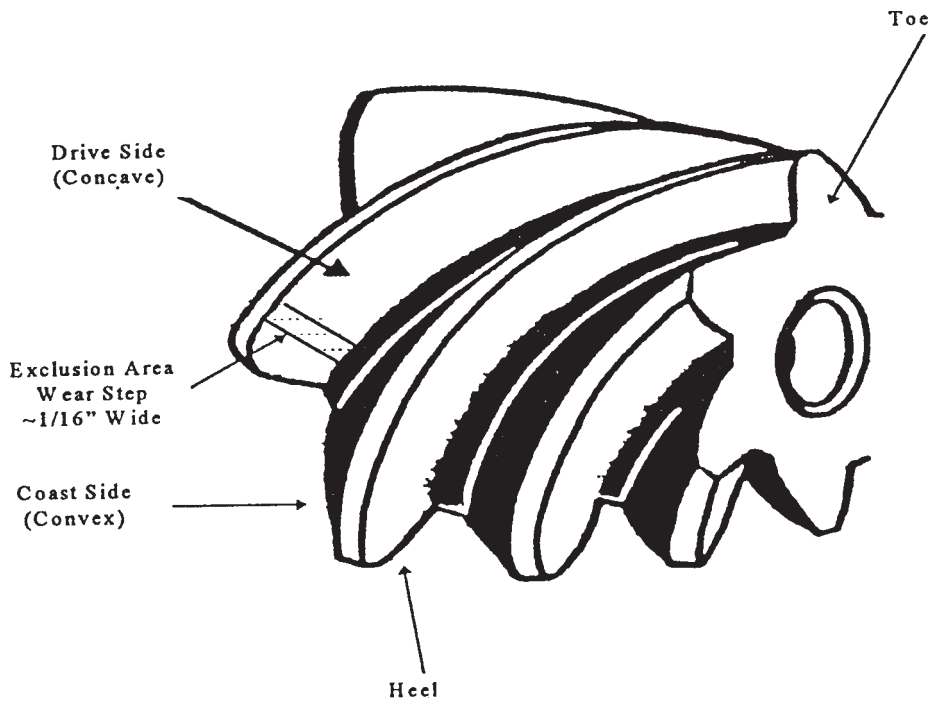


FIG. A10.1 Exclusion Area on Pinion

A11. GEAR BATCH EXCLUSIONS

A11.1 Comments have been developed to accurately describe approved gear batch exclusions. When reporting test results, place one of the comments from Table A11.1 on Form 2 (Annex Annex A7) in the area of Exclusion Comments.

TABLE A11.1 Gear Batch Exclusion Comments

	Gear Batch	Comment
CIL426/P4L415A	Non-lubrited hardware only (reference and non-reference tests)	Excludes any pitting/spalling values between 9.3 and 9.9, inclusively, in the wear step area ($\frac{1}{16}$ in.) of the drive side pinion tooth.
VIL303/P4L514A	Non-lubrited hardware only (reference and non-reference tests)	Excludes any pitting/spalling values between 3.0 and 9.9, inclusively, in the wear step area ($\frac{1}{16}$ in.) of the drive side pinion tooth.
VIL686/P4L626A	Non-lubrited hardware only (reference and non-reference tests)	References how to report the observations of a thin polished line that is sometimes visible in the root heel of the pinion and on the crown of the ring gear. This condition is normal and not oil-related and is to be noted as "Root and tip line polishing and a function of the gear set manufacturing process."
Applies to all gear batches, with no exceptions		No exclusion applied

ASTM International takes no position respecting the validity of any patent rights asserted in connection with any item mentioned in this standard. Users of this standard are expressly advised that determination of the validity of any such patent rights, and the risk of infringement of such rights, are entirely their own responsibility.

This standard is subject to revision at any time by the responsible technical committee and must be reviewed every five years and if not revised, either reapproved or withdrawn. Your comments are invited either for revision of this standard or for additional standards and should be addressed to ASTM International Headquarters. Your comments will receive careful consideration at a meeting of the responsible technical committee, which you may attend. If you feel that your comments have not received a fair hearing you should make your views known to the ASTM Committee on Standards, at the address shown below.

This standard is copyrighted by ASTM International, 100 Barr Harbor Drive, PO Box C700, West Conshohocken, PA 19428-2959, United States. Individual reprints (single or multiple copies) of this standard may be obtained by contacting ASTM at the above address or at 610-832-9585 (phone), 610-832-9555 (fax), or service@astm.org (e-mail); or through the ASTM website (www.astm.org).