



Standard Test Method for Softening Point of Bitumen (Ring-and-Ball Apparatus)¹

This standard is issued under the fixed designation D 36; the number immediately following the designation indicates the year of original adoption or, in the case of revision, the year of last revision. A number in parentheses indicates the year of last reappraisal. A superscript epsilon (ϵ) indicates an editorial change since the last revision or reappraisal.

1. Scope

1.1 This test method covers the determination of the softening point of bitumen in the range from 30 to 157°C (86 to 315°F) using the ring-and-ball apparatus immersed in distilled water (30 to 80°C), USP glycerin (above 80 to 157°C), or ethylene glycol (30 to 110°C).

1.2 The values stated in SI units are to be regarded as the standard.

1.3 *This standard does not purport to address all of the safety concerns, if any, associated with its use. It is the responsibility of the user of this standard to establish appropriate safety and health practices and determine the applicability of regulatory limitations prior to use.*

2. Referenced Documents

2.1 ASTM Standards:

C 670 Practice for Preparing Precision and Bias Statements for Test Methods for Construction Materials²

D 92 Test Method for Flash and Fire Points by Cleveland Open Cup³

D 140 Practice for Sampling Bituminous Materials⁴

D 3461 Test Method for Softening Point of Asphalt and Pitch (Mettler Cup-and-Ball Method)⁵

E 1 Specification for ASTM Thermometers⁶

3. Summary of Test Method

3.1 Two horizontal disks of bitumen, cast in shouldered brass rings, are heated at a controlled rate in a liquid bath while each supports a steel ball. The softening point is reported as the mean of the temperatures at which the two disks soften enough to allow each ball, enveloped in bitumen, to fall a distance of 25 mm (1.0 in.).

4. Significance and Use

4.1 Bitumens are viscoelastic materials without sharply defined melting points; they gradually become softer and less

viscous as the temperature rises. For this reason, softening points must be determined by an arbitrary and closely defined method if results are to be reproducible.

4.2 The softening point is useful in the classification of bitumens, as one element in establishing the uniformity of shipments or sources of supply, and is indicative of the tendency of the material to flow at elevated temperatures encountered in service.

5. Apparatus

5.1 *Rings*—Two square-shouldered brass rings conforming to the dimensions shown in Fig. 1(a).

5.2 *Pouring Plate*—A flat, smooth, brass plate approximately 50 by 75 mm (2 by 3 in.).

5.3 *Balls*—Two steel balls, 9.5 mm ($\frac{3}{8}$ in.) in diameter, each having a mass of 3.50 ± 0.05 g.

5.4 *Ball-Centering Guides*—Two brass guides for centering the steel balls, one for each ring, conforming to the general shape and dimensions shown in Fig. 1 (b).

5.5 *Bath*—A glass vessel, capable of being heated, not less than 85 mm in inside diameter and not less than 120 mm in depth from the bottom of the flare.

NOTE 1—An 800-mL, low-form Griffin beaker of heat-resistant glass meets this requirement.

5.6 *Ring Holder and Assembly*—A brass holder designed to support the two rings in a horizontal position, conforming to the shape and dimensions shown in Fig. 1 (c), supported in the assembly illustrated in Fig. 1 (d). The bottom of the shouldered rings in the ring holder shall be 25 mm (1.0 in.) above the upper surface of the bottom plate, and the lower surface of the bottom plate shall be 16 ± 3 mm ($\frac{5}{8} \pm \frac{1}{8}$ in.) from the bottom of the bath.

5.7 Thermometers:

5.7.1 An ASTM Low Softening Point Thermometer, having a range from -2 to $+80^\circ\text{C}$ or 30 to 180°F , and conforming to the requirements for Thermometer 15C or 15F as prescribed in Specification E 1.

5.7.2 An ASTM High Softening Point Thermometer, having a range from 30 to 200°C or 85 to 392°F , and conforming to the requirements for Thermometer 16C or 16F as prescribed in Specification E 1.

5.7.3 The appropriate thermometer shall be suspended in the assembly as shown in Fig. 1 (d) so that the bottom of the bulb is level with the bottom of the rings and within 13 mm (0.5 in.) of the rings, but not touching them or the ring holder.

¹ This test method is under the jurisdiction of ASTM Committee D-8 on Roofing, Waterproofing, and Bituminous Materials and is the direct responsibility of Subcommittee D08.03 on Surfacing and Bituminous Materials for Membrane Waterproofing and Builtup Roofing.

Current edition approved Oct. 10, 1995. Published December 1995. Originally published as D 36 – 62T. Last previous edition D 36 – 86 (1993) ^{ϵ 1}.

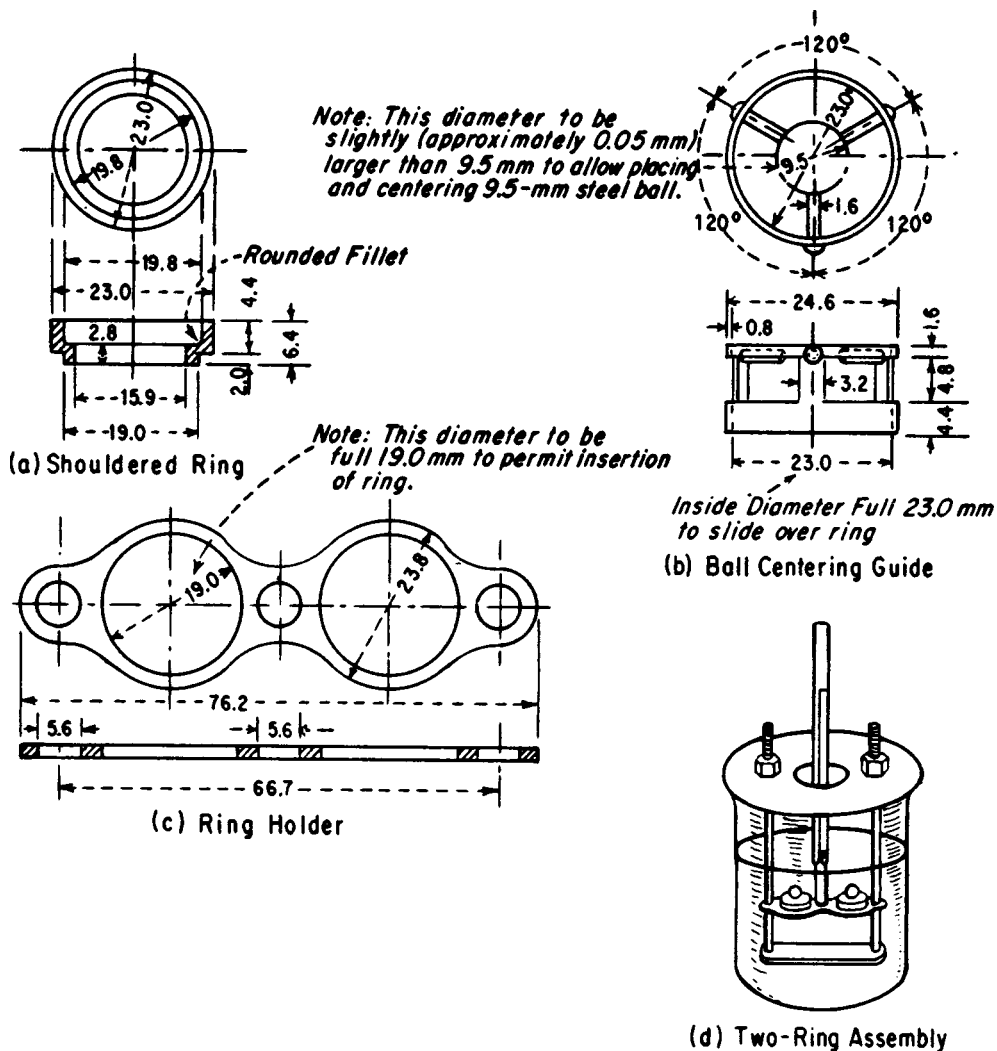
² *Annual Book of ASTM Standards*, Vol 04.02.

³ *Annual Book of ASTM Standards*, Vol 05.01.

⁴ *Annual Book of ASTM Standards*, Vol 04.03.

⁵ *Annual Book of ASTM Standards*, Vol 04.04.

⁶ *Annual Book of ASTM Standards*, Vol 14.03.



NOTE 1—All dimensions are in millimetres.

FIG. 1 Shouldered Ring, Ball-Centering Guide, Ring Holder, and Assembly of Apparatus Showing Two Rings

Substitution of other thermometers shall not be permitted.

6. Reagents and Materials

6.1 Bath Liquids:

6.1.1 Freshly Boiled Distilled Water.

NOTE 2—The use of freshly boiled distilled water is essential to avoid trapping air bubbles on the surface of the specimen which may affect the results.

6.1.2 USP Glycerin, or

NOTE 3—**Caution:** Glycerin has a flash point of 160°C (320°F) in accordance with Test Method D 92.

6.1.3 Ethylene Glycol, with a boiling point between 195 and 197°C (383 and 387°F).

NOTE 4—**Caution:** Ethylene glycol is toxic when taken internally or inhaled as a vapor. Avoid prolonged or repeated skin contact and inhalation of vapors. Its flash point is 115°C (239°F) in accordance with Test Method D 92. When using this bath liquid, conduct the test in a vented laboratory hood with adequate exhaust fan capacity to ensure removal of toxic vapors.

6.2 Release Agents:

6.2.1 To prevent adhesion of bitumen to the pouring plate when casting disks, the surface of the brass pouring plate may be thinly coated just before use with silicone oil or grease (Note 5), a mixture of glycerin and dextrin, talc, or china clay.

NOTE 5—**Caution:** Isolate silicones from other bituminous testing equipment and samples to avoid contamination, and wear disposable rubber gloves whenever handling silicones or apparatus coated with them. Silicone contamination can produce erroneous results in other tests such as those for penetration and flash point.

7. Sampling

7.1 Sample the material in accordance with Practice D 140.

8. Test Specimens

8.1 Do not start unless it is planned to complete preparation and testing of all asphalt specimens within 6 h and all coal-tar pitch specimens within 4½ h. Heat the bitumen sample with care, stirring frequently to prevent local overheating, until it has become sufficiently fluid to pour (Note 6). Stir carefully to avoid incorporation of air bubbles in the sample.

NOTE 6—An electric hot plate having a minimum power to unit-surface-area ratio of 37 kW/m² has been found satisfactory for this purpose.

8.1.1 Take no more than 2 h to heat an asphalt sample to its pouring temperature; in no case shall this be more than 110°C (200°F) above the expected softening point of the asphalt.

8.1.2 Take no more than 30 min to heat a coal-tar pitch sample to its pouring temperature; in no case shall this be more than 55°C (100°F) above the expected softening point of the coal-tar-pitch.

8.1.3 If the test must be repeated later, do not reheat this sample; use a fresh sample in a clean container to prepare new test specimens.

8.2 Heat the two brass rings (but not the pouring plate) to the approximate pouring temperature, and place them on the pouring plate treated with one of the release agents.

8.3 Pour a slight excess of the heated bitumen into each ring, and then allow the specimens to cool in ambient air for at least 30 min. For materials that are soft at room temperature, cool the specimens for at least 30 min at an air temperature at least 10°C (18°F) below the expected softening point. From the time the specimen disks are poured, no more than 240 min shall elapse before completion of the test.

8.4 When the specimens have cooled, cut away the excess bitumen cleanly with a slightly heated knife or spatula, so that each disk is flush and level with the top of its ring.

9. Procedure

9.1 Select one of the following bath liquids and thermometers appropriate for the expected softening point:

9.1.1 Freshly boiled distilled water for softening points between 30 and 80°C (86 and 176°F); use Thermometer 15C or 15F. The starting bath temperature shall be 5 ± 1°C (41 ± 2°F).

9.1.2 USP glycerin for softening points above 80°C (176°F) and up to 157°C (315°F); use Thermometer 16C or 16F. The starting bath temperature shall be 30 ± 1°C (86 ± 2°F).

9.1.3 Ethylene glycol for softening points between 30 and 110°C (86 and 230°F); use Thermometer 16C or 16F. The starting bath temperature shall be 5 ± 1°C (41 ± 2°F).

9.1.4 For referee purposes, all softening points up to 80°C (176°F) shall be determined in a water bath and all softening points above 80°C (176°F) shall be determined in a glycerin bath.

9.2 Assemble the apparatus in the laboratory hood with the specimen rings, ball-centering guides, and thermometer in position, and fill the bath so that the liquid depth will be 105 ± 3 mm (4 1/8 ± 1/8 in.) with the apparatus in place. If using ethylene glycol, make sure the hood exhaust fan is turned on and operating properly to remove toxic vapors. Using forceps, place the two steel balls in the bottom of the bath so they will reach the same starting temperature as the rest of the assembly.

9.3 Place the bath in ice water, if necessary, or gently heat to establish and maintain the proper starting bath temperature for 15 min with the apparatus in place. Take care not to contaminate the bath liquid.

9.4 Again using forceps, place a ball from the bottom of the bath in each ball-centering guide.

9.5 Heat the bath from below so that the temperature indicated by the thermometer rises at a uniform rate of 5°C

(9°F)/min (Note 7). Protect the bath from drafts, using shields if necessary. Do not average the rate of temperature rise over the test period. The maximum permissible variation for any 1-min period after the first 3 min shall be ± 0.5°C (± 1.0°F). Reject any test in which the rate of temperature rise does not fall within these limits.

NOTE 7—Rigid adherence to the prescribed heating rate is essential to reproducibility of results. Either a gas burner or electric heater may be used, but the latter must be of the low-lag, variable output type to maintain the prescribed rate of heating.

9.6 Record for each ring and ball the temperature indicated by the thermometer at the instant the bitumen surrounding the ball touches the bottom plate. Make no correction for the emergent stem of the thermometer. If the difference between the two temperatures exceeds 1°C (2°F), repeat the test.

10. Calculation

10.1 For a given bitumen specimen, the softening point determined in a water bath will be lower than that determined in a glycerin bath. Since the softening point determination is necessarily arbitrary, this difference matters only for softening points slightly above 80°C (176°F).

10.2 The change from water to glycerin for softening points above 80°C creates a discontinuity. With rounding, the lowest possible asphalt softening point reported in glycerin is 84.5°C (184°F), and the lowest possible coal-tar pitch softening point reported in glycerin is 82.0°C (180°F). Softening points in glycerin lower than these translate to softening points in water of 80°C (176°F) or less, and shall be so reported.

10.2.1 The correction for asphalt is -4.2°C (-7.6°F), and for coal-tar pitch is -1.7°C (-3.0°F). For referee purposes, repeat the test in a water bath.

10.2.2 Under any circumstances, if the mean of the two temperatures determined in glycerin is 80.0°C (176.0°F) or lower for asphalt, or 77.5°C (171.5°F) or lower for coal-tar pitch, repeat the test in a water bath.

10.3 To convert softening points slightly above 80°C (176°F) determined in water to those determined in glycerin, the correction for asphalt is +4.2°C (+7.6°F) and for coal-tar pitch is +1.7°C (+3.0°F). For referee purposes, repeat the test in a glycerin bath.

10.3.1 Under any circumstances, if the mean of the two temperatures determined in water is 85.0°C (185.0°F) or higher, repeat the test in a glycerin bath.

10.4 Results obtained by using an ethylene glycol bath will vary from those using water and glycerin. The following formulas shall be used to calculate the differences:

Asphalt:

$$SP(\text{glycerin}) = 1.026583 \times SP(\text{ethylene glycol}) - 1.334968^\circ\text{C} \quad (1)$$

$$SP(\text{water}) = 0.974118 \times SP(\text{ethylene glycol}) - 1.44459^\circ\text{C} \quad (2)$$

Coal Tar:

$$SP(\text{glycerin}) = 1.044795 \times SP(\text{ethylene glycol}) - 5.063574^\circ\text{C} \quad (3)$$

$$\dagger SP(\text{water}) = 1.061111 \times SP(\text{ethylene glycol}) - 8.413488^\circ\text{C} \quad (4)$$

† Editorially corrected.

11. Report

11.1 When using ASTM Thermometer 15C or 15F, report to the nearest 0.2°C or 0.5°F the mean or corrected mean of the temperatures recorded in 9.6 as the softening point.

11.2 When using ASTM Thermometer 16C or 16F report to the nearest 0.5°C or 1.0°F the mean or corrected mean of the temperatures recorded in 9.6 as the softening point.

11.3 Report the bath liquid used in the test.

12. Precision and Bias

12.1 With distilled water or USP glycerin, the following criteria shall be used for judging the acceptability of results (95 % probability):

12.1.1 *Single-Operator Precision*—The single-operator standard deviation has been found to be 0.41°C (0.73°F). Therefore, results of two properly conducted tests by the same operator on the same sample of bitumen should not differ by more than 1.2°C (2.0°F).⁷

12.1.2 *Multilaboratory Precision*—The multilaboratory standard deviation has been found to be 0.70°C (1.26°F).

⁷ These numbers represent, respectively, the (1S) and (D2S) limits as described in Practice C 670.

Therefore, results of two properly conducted tests on the same sample of bitumen from two laboratories should not differ by more than 2.0°C (3.5°F).⁷

12.2 With ethylene glycol, the following criteria shall be used for judging the acceptability of results:

12.2.1 *Single-Operator Precision*—The single-operator standard deviation has been found to be 0.72°C (1.29°F). Therefore, results of two properly conducted tests by the same operator on the same sample of bitumen should not differ by more than 2.0°C (3.5°F).⁷

12.2.2 *Multilaboratory Precision*—The multilaboratory standard deviation has been found to be 1.08°C (1.95°F). Therefore, results of two properly conducted tests on the same sample of bitumen from two laboratories should not differ by more than 3.0°C (5.5°F).⁷

12.3 *Bias*—The procedure in Test Method D 36 has no bias because the value of the softening point of the bitumen test is defined in terms of this test method.

13. Keywords

13.1 asphalt; ball and ring; bitumen; coal tar; softening point

The American Society for Testing and Materials takes no position respecting the validity of any patent rights asserted in connection with any item mentioned in this standard. Users of this standard are expressly advised that determination of the validity of any such patent rights, and the risk of infringement of such rights, are entirely their own responsibility.

This standard is subject to revision at any time by the responsible technical committee and must be reviewed every five years and if not revised, either reapproved or withdrawn. Your comments are invited either for revision of this standard or for additional standards and should be addressed to ASTM Headquarters. Your comments will receive careful consideration at a meeting of the responsible technical committee, which you may attend. If you feel that your comments have not received a fair hearing you should make your views known to the ASTM Committee on Standards, 100 Barr Harbor Drive, West Conshohocken, PA 19428.